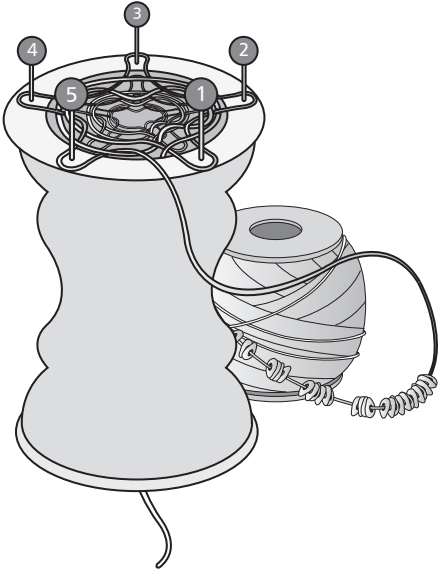
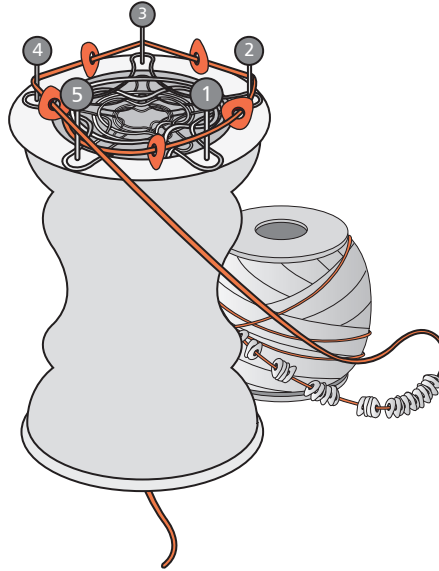


spool knitting - phase 2

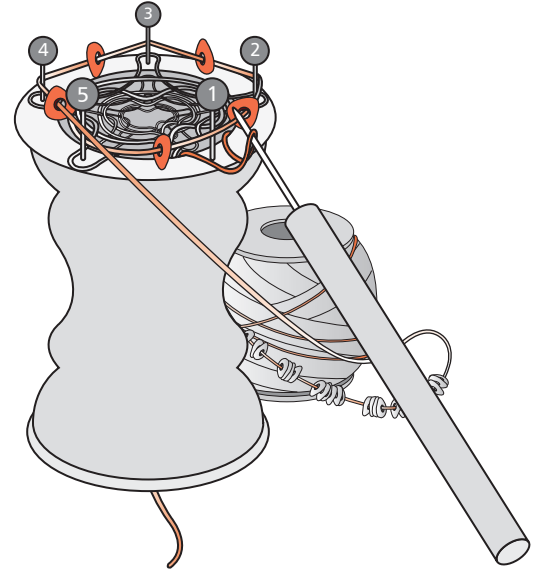
adding beads & casting off



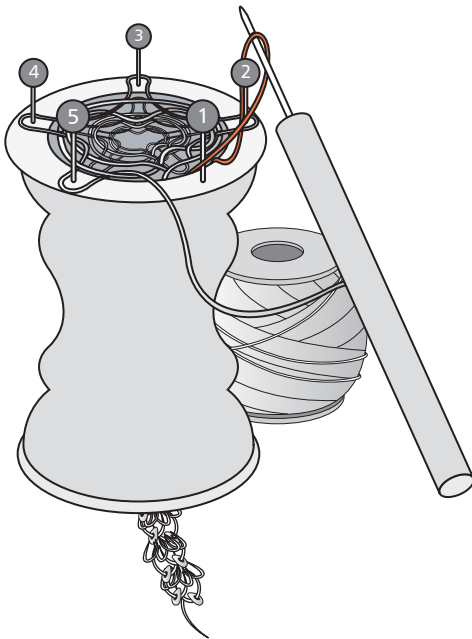
Step 7: Now that you have done 3 rounds of knitting it's time to add beads. Add beads randomly or uniformly, it's up to you.



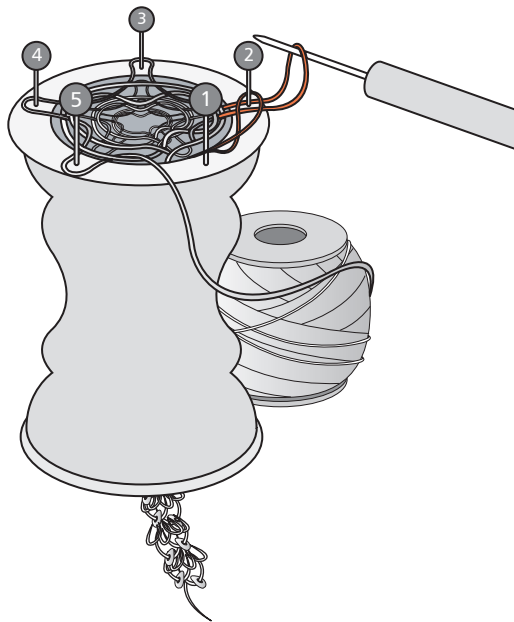
Step 8: Wrap the string counterclockwise around the outside of the pegs starting at #1 and ending at #5. Push up five beads and space them out between each peg.



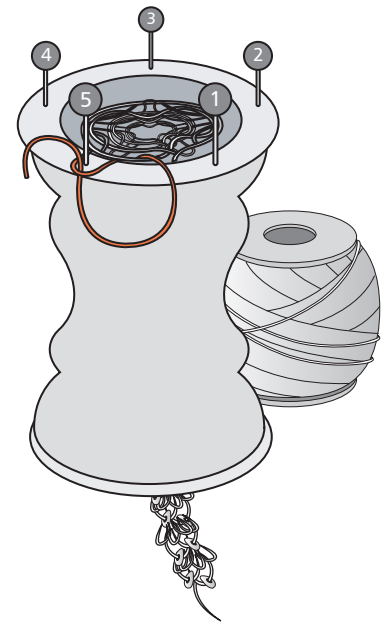
Step 9: Beginning at #1, hook the bottom piece of string and lift up and over the top string and peg. Do the same to all the pegs counterclockwise. Repeat steps 8 and 9 until desired length is achieved.



Step 10: To cast off do not wrap more string around the pegs. Hook the string from peg #1 up and over peg #2



Step 11: Hook the bottom string up and over the top of string and peg #2.



Step 12: Repeat steps 10 and 11 on the rest of the pegs. When there is one loop left on peg #5, cut the string off its spool and thread it through the final loop and remove from the final peg.